

RESIDENTIAL DOOR OPERATOR

ECI

ACCORDION GATE / LULA/ AND LIGHT WEIGHT COMMERCIAL APPLICATIONS

Model: 3000 Linear Door Operators
Standard Model(s): 3000-29, 3000-32, 3000-36,
3000-42, 3000-45

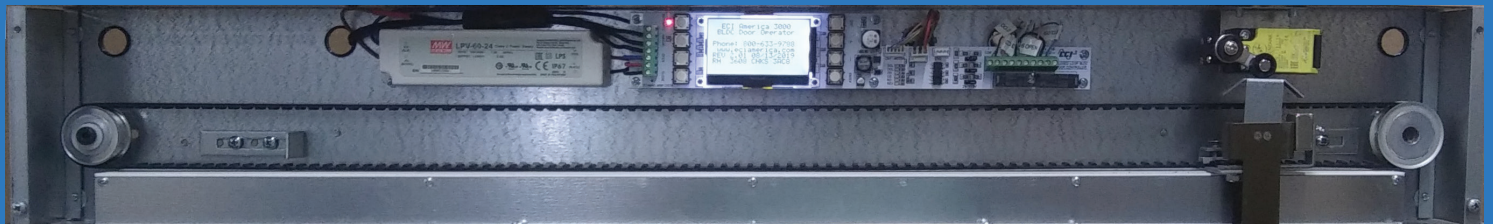
Clear door openings from 29" to 45"
Custom size operators available

Model Number designate clear door opening dimensions to be followed by (LH) or (RH) for left or right hand operation.

Product Overview: The ECI 3000 series of linear door operators offer smooth, quiet and powerful direct drive linear motion. Its robust commercial grade multiapplication design provides the perfect choice for residential accordion gate, LULA (Limited Use Limited Access) and medium weight commercial elevator doors. Incorporating the very latest in closed loop door technology requiring no limit switches and universal installation, providing for either left or right-hand operation. It's state-of-the-art LCD door control interface offers faster setup and parameter adjustments in real time via the on-board LCD display.

ADVANTAGES:

- Ultra quiet direct drive linear motion
- Brushless DC motor for long life maintenance free operation
- Closed loop Door control provides for absolute door positioning
- Requires No (Micro) Limit Switches automatically learns position of adjustable door stops
- Universal Installation Non-handed, can be used on both left and right-handed applications
- Includes Door (System) Coupling Connection Bracketing: Magnetic Break-a-way
- User friendly Set-up-through on-board LCD display
- LED Indicator lights for door position
- Speed and Torque adjustments
- Control Inputs Signals - Selectable for either 24V or 110V for open, close and nudging
- Universal Input power 100-240VAC or 24VDC



REQUEST YOUR FREE QUOTE

Sales@ECIAmerica.com • (800) 633-9788

ELEVATE YOUR BUSINESS

www.ECIAmerica.com



CONTROLS



LIGHTING



REPAIR



HARDWARE

RESIDENTIAL DOOR OPERATOR

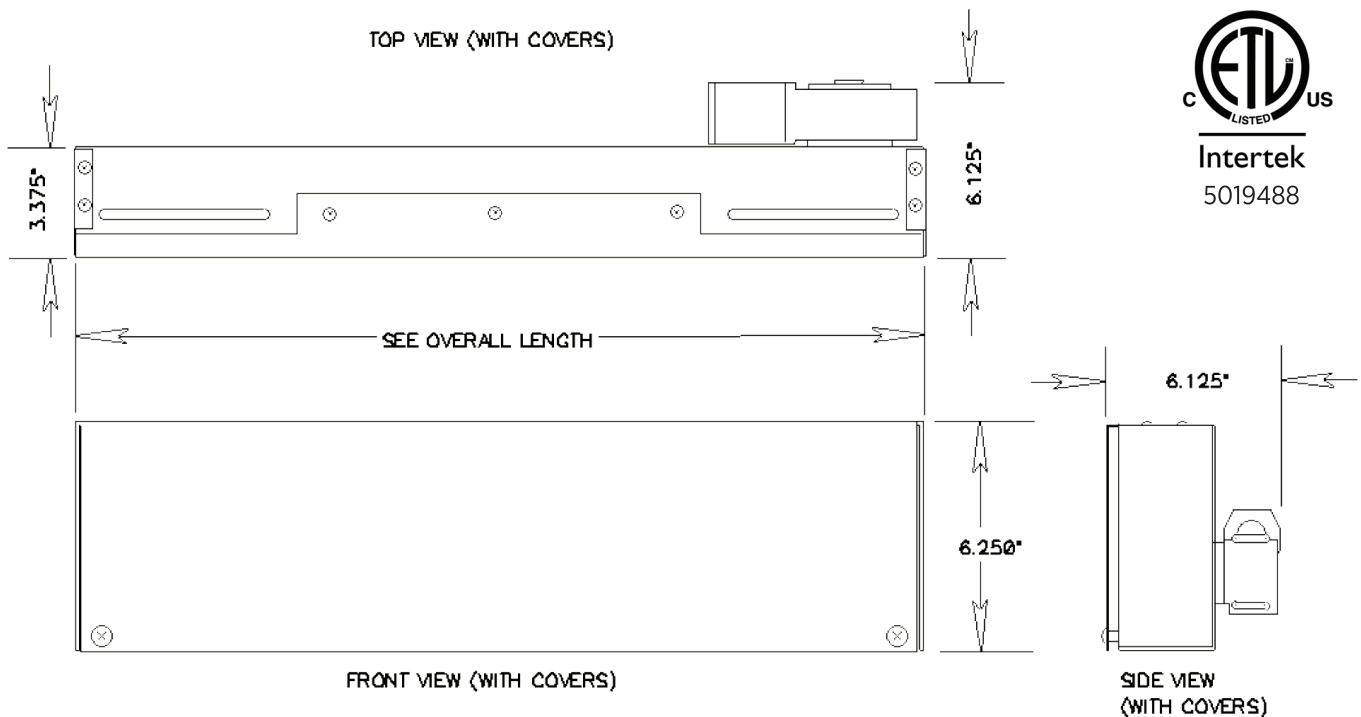


ACCORDION GATE / LULA/ AND LIGHT WEIGHT COMMERCIAL APPLICATIONS

- MODEL:** 3000 Linear Door Operators
INPUT VOLTAGE: 100-240VAC 50/60Hz
MOTOR: Brushless DC
LCD DOOR CONTROL: Closed Loop Speed Control
CONTROL INTERFACE: 24V, 115V AC/DC
OPTIONS:
- Accordion Gate Doors
 - Door Saddles / Sills – Anodized Extruded Aluminum in Clear, Gold and Bronze
 - Custom color cover plates

DIMENSIONAL DATA

MODEL NO.	GATE TRAVEL	OVERALL LENGTH
3000-29	29"	37"
3000-32	32"	40"
3000-36	36"	44"
3000-42	42"	51"
3000-45	45"	54"
3000-48	48"	57"



Made in America

by Electronic Controls, Inc 7073 N. Atlantic Ave, Cape Canaveral, FL 32920

HOW TO ORDER: Sales@ECIAmerica.com • (800) 633-9788



ELEVATE YOUR BUSINESS
www.ECIAmerica.com