

VR 2.25/2.75 SPECIFICATIONS



Model: CabLite® VR 2.25/2.75

Material: T6061 Aluminum

Mounting: T6061 Aluminum threaded mechanical fastening collar.

LED

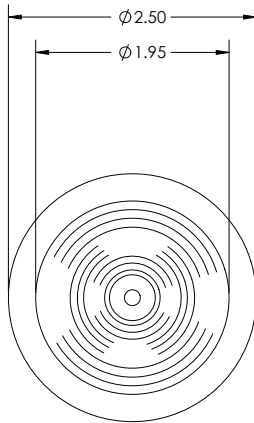
Viewing Angle	85-120 Degree	85-120 Degree	85-120 Degree
Kelvin Temperature	3000K	4000K	5000K
CRI	90	90	90
Lumens	252 lm +/-10	264lm +/-10	324 lm +/-10
Number LED	9	9	9
Wattage	5	5	5
Input Voltage	24VDC	24VDC	24VDC
LED Operating Temp Range		-40° to 85°C / 185°F	

Specifications per independant testing laboratory - photometrics available upon request

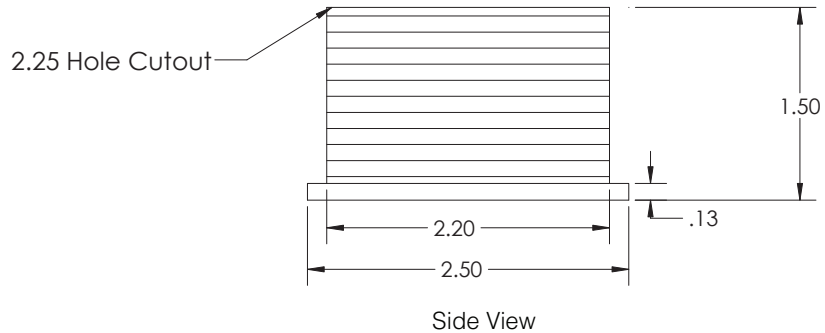
Hardware & Wiring

Includes electrical box & easy connect wiring harness cables with secondary output wiring from supply source to each down light fixture.

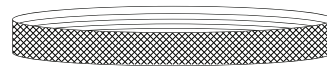
VR 2.25 DIMENSIONS



Front View

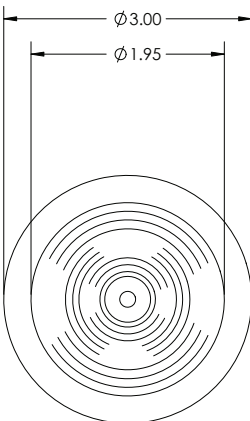


Side View

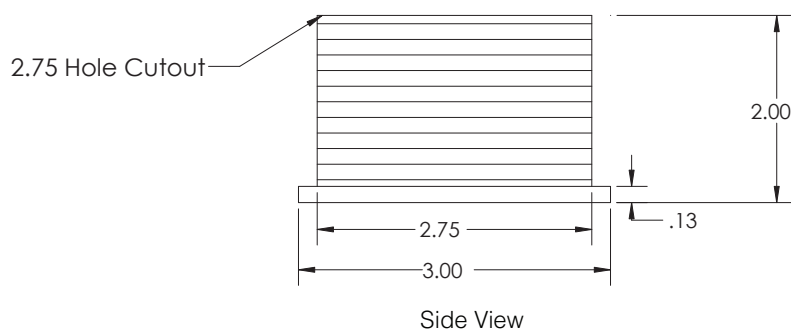


Mechanical Fastening Collar

VR 2.75 DIMENSIONS



Front View



Side View



Mechanical Fastening Collar

Finishes

(Standard)

Black Anodized
Clear Natural Aluminum

(Optional)

White, Gold, Bronze

Dimming Control 30.....100% (Included)

Dimming Control Secondary Remote for COP (Optional)

Car Top Light Covers (Optional) for top of car through canopy installations with conduit knock outs

Emergency Lighting - Battery Back Up (Optional)

Operates two lights and exceeds elevator code requirements through AMSE 17.3 -2010 Battery Fault: Dry contact for visual (LED) or Audible alarm.